



The all season patio door



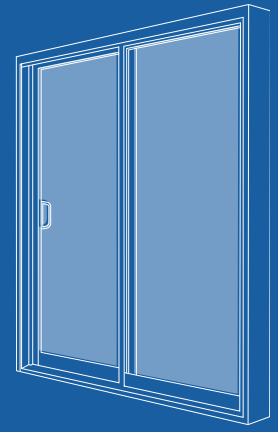
MUCH MORE THAN BEING FULLY ADAPTED FOR ALL SEASONS, THE VIVALDI SLIDING PATIO DOOR IS THE CHOICE OF EXCELLENCE FOR BUILDERS AND REMODELERS WHO ARE LOOKING FOR SIMPLICITY, LOW COST AND PEACE OF MIND.



Royal Window and Door Profiles
Great Ideas Taking Shape

ROYALPLAST DIVISION

www.royalplast.ca



The Vivaldi sliding patio door is offered in a limited number of configurations, options and dimensions. Builders can now have an easy life.

STANDARD FEATURES

- ▶ 5 5/8" (143 mm) or 7 1/4" (184 mm) sturdy wood frame. **5**
- ▶ Exterior PVC cladding integrated to the frame for maximum weather tightness. **6**
- ▶ 10 degree sloped sill for greater water drainage.
- ▶ Anodized extruded aluminium sash and screen rails for durability and corrosion resistance.
- ▶ Weatherstrip is integrated to frame on a double wall blade to avoid breakage during extremely cold temperature. **2**
- ▶ Double continuous weatherstrip to eliminate air and water infiltration. **4**
- ▶ All PVC sashes with galvanized steel stiffeners in 3 vertical stiles for superior strength. **3**
- ▶ Mechanically fastened with dual durometer profiles.
- ▶ Powder coated metal handle with exterior finger pull to maximize opening. **1**
- ▶ Double hook locking handle to enhance security and forced entry resistance.
- ▶ Adjustable rollers with galvanized steel ball bearings and polymer wheels for smooth operation and durability.
- ▶ Integrated meeting rail with double weatherstrip for superior weather tightness.
- ▶ Mechanically fastened screen door made from heavy-duty extruded aluminum and PVC inserts.
- ▶ High quality integrated and adjustable rollers for smooth operation.

OPTIONS

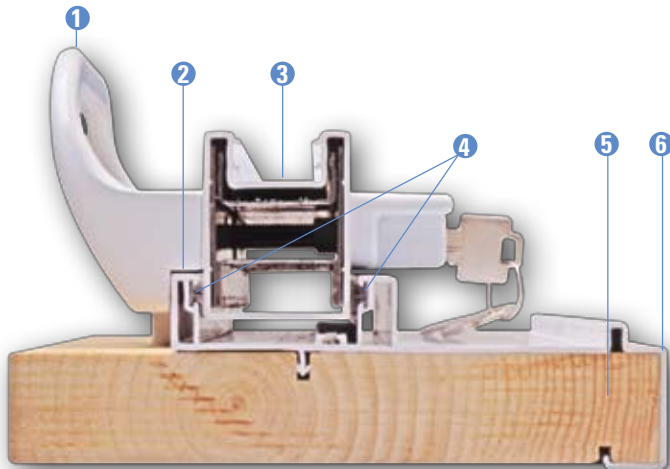
- ▶ Interior frame extensions with or without PVC cladding for 7 5/8", 8 1/4", 8 1/2" or 9 1/4".
- ▶ Key lock.
- ▶ Security Bar.
- ▶ Georgian grids 3x6 only.

COLOR OPTIONS

Blue white #141.

PERFORMANCES

	CAN	AAMA/NWWDA 101/I.S 2.97
Air tightness (Room T°)/(-30°C)	A3	R 35
Water Resistance	B3	
Wind Load Strength	C2	
Forced Entry	F2	
Ease of Operation	E3	
ENERGY STAR™	A B C D	Northern / Central



STANDARD SIZES

	X O X	X O X	HEIGHT
Exterior-frame Dimensions	58 3/4"	70 3/4"	79 1/2" or 81 3/16"
Minimum Rough Opening	59 3/4"	71 3/4"	80" or 81 11/16"
	WIDTH		HEIGHT

X = Operating Sash O = Fixed Sash

WARRANTY RoyalPlast patio doors are delivered with a limited warranty: 20 years on PVC / 20 years on seal failure of glass / 1 year on operation.



ROYALPLAST DIVISION

LACHENAIE
1 866 777.1210
www.royalplast.ca

